

KEY VALUE PROPOSITION

Halo optimizes visualization by allowing the surgeon to focus on targeted tissue:

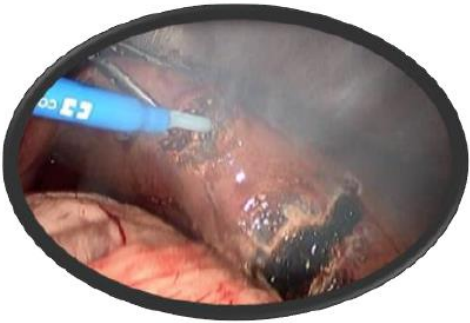
1. Displacing blood

Enhanced ES performance
Fewer ES activations needed to control bleeding
Lower power settings required for hemostasis

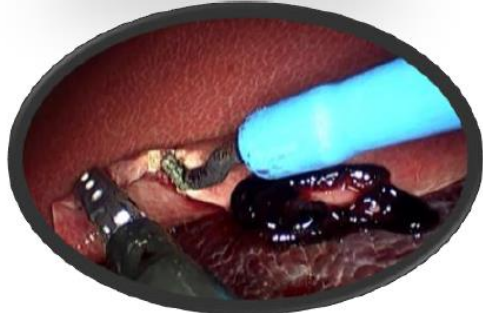
Enhanced surgical efficiency
Less char build-up on electrode (less time cleaning)

2. Clearing smoke

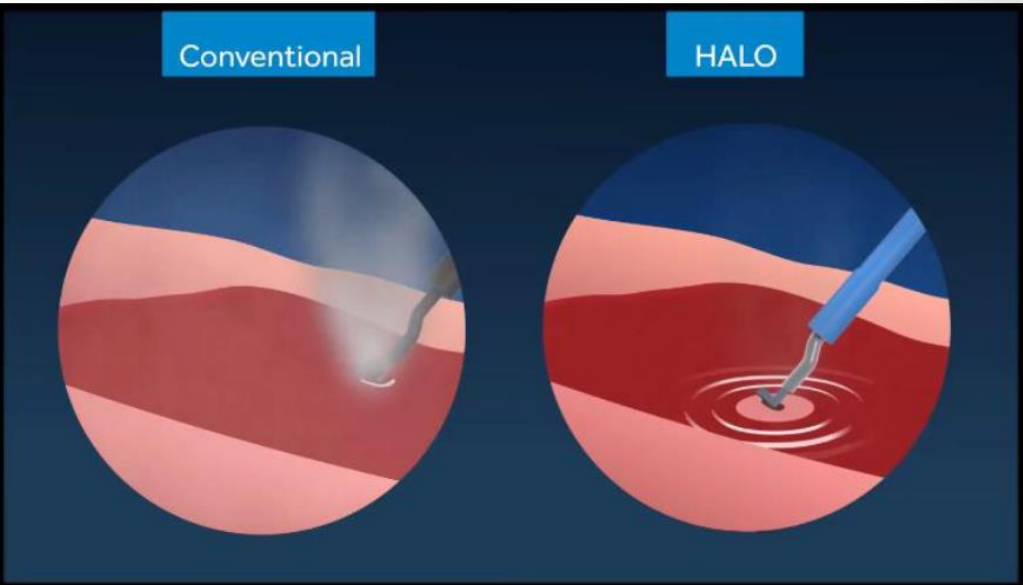
Enhanced surgical efficiency
Halo disperses plume (less time waiting for smoke to clear)



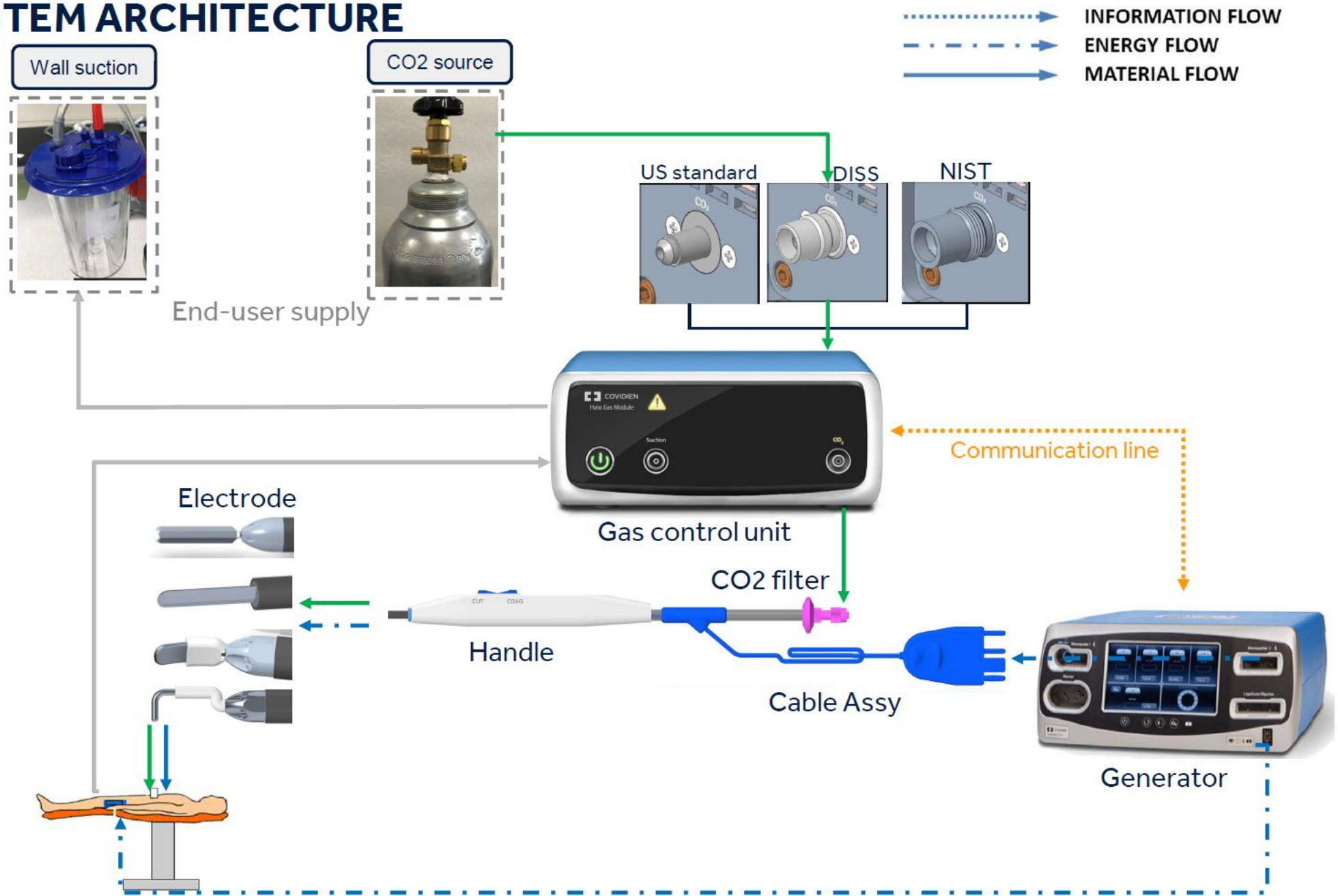
Liver with Conventional ES



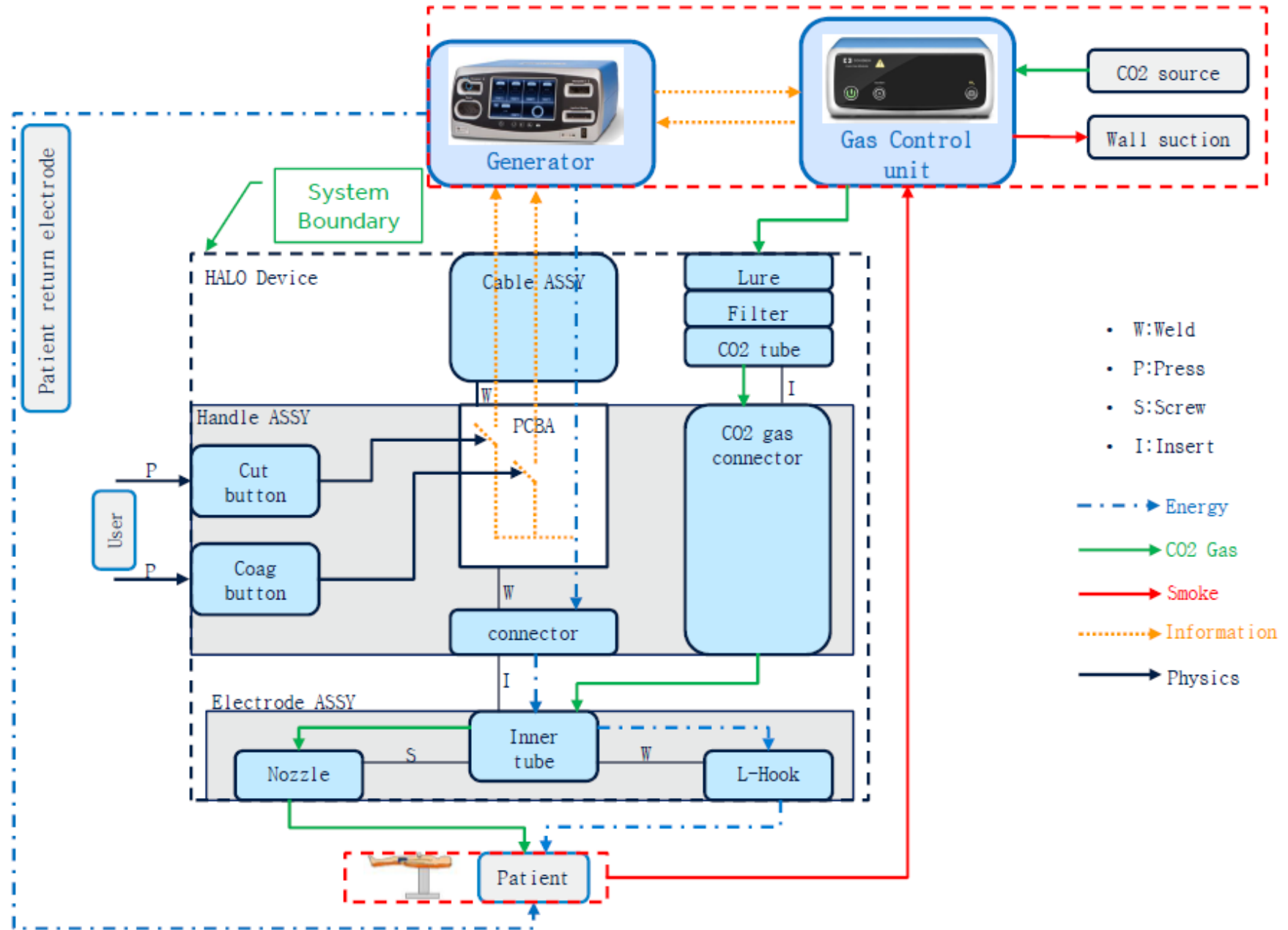
Liver with Halo



SYSTEM ARCHITECTURE



HANDPIECE SUBSYSTEM BOUNDARY DIAGRAM



PNEUMATIC SYSTEM ARCHITECTURE – CO2 GAS BLOWING SYSTEM

